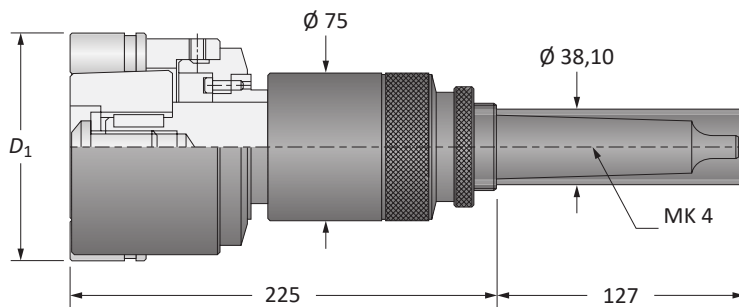


## Válečkovací nástroje | Slepé otvory

Série S | Rozsah průměrů: 103,86 mm - 127,94 mm ( 4,0890 - 5,0370")



## Slepé otvory

$D_1$		Obj. číslo*		Náhradní součásti			
Metrické (mm)	Palcové (inch)	Sestava s kuželovou stopkou	Sestava s válcovou stopkou	Klec	Kužel**	Válečky	Počet válečků
103,86 - 104,90	4,0890 - 4,1299	RSKS-200-xxxxx	RSKS-100-xxxxx	RSCS-015-00262	RSTS-083-0000x	RSRY-708-00687	9
104,67 - 105,75	4,1209 - 4,1634	RSKS-200-xxxxx	RSKS-100-xxxxx	RSCS-015-00264	RSTS-084-0000x	RSRY-708-00687	9
105,46 - 106,50	4,1520 - 4,1929	RSKS-200-xxxxx	RSKS-100-xxxxx	RSCS-015-00266	RSTS-085-0000x	RSRY-708-00687	9
106,25 - 107,29	4,1831 - 4,2240	RSKS-200-xxxxx	RSKS-100-xxxxx	RSCS-015-00268	RSTS-086-0000x	RSRY-708-00687	9
107,04 - 108,08	4,2142 - 4,2551	RSKS-200-xxxxx	RSKS-100-xxxxx	RSCS-015-00270	RSTS-087-0000x	RSRY-708-00687	9
107,85 - 108,89	4,2461 - 4,2870	RSKS-200-xxxxx	RSKS-100-xxxxx	RSCS-015-00272	RSTS-088-0000x	RSRY-708-00687	9
108,64 - 109,68	4,2772 - 4,3181	RSKS-200-xxxxx	RSKS-100-xxxxx	RSCS-015-00274	RSTS-089-0000x	RSRY-708-00687	9
109,42 - 110,47	4,3079 - 4,3492	RSKS-200-xxxxx	RSKS-100-xxxxx	RSCS-015-00276	RSTS-090-0000x	RSRY-708-00687	9
110,21 - 111,25	4,3390 - 4,3799	RSKS-200-xxxxx	RSKS-100-xxxxx	RSCS-015-00278	RSTS-083-0000x	RSRY-708-00812	9
111,02 - 112,07	4,3709 - 4,4122	RSKS-200-xxxxx	RSKS-100-xxxxx	RSCS-015-00280	RSTS-084-0000x	RSRY-708-00812	9
111,81 - 112,85	4,4020 - 4,4429	RSKS-200-xxxxx	RSKS-100-xxxxx	RSCS-015-00282	RSTS-085-0000x	RSRY-708-00812	9
112,60 - 113,64	4,4331 - 4,4740	RSKS-200-xxxxx	RSKS-100-xxxxx	RSCS-015-00284	RSTS-086-0000x	RSRY-708-00812	9
113,34 - 114,43	4,4622 - 4,5051	RSKS-200-xxxxx	RSKS-100-xxxxx	RSCS-015-00286	RSTS-087-0000x	RSRY-708-00812	9
114,20 - 115,24	4,4961 - 4,5370	RSKS-200-xxxxx	RSKS-100-xxxxx	RSCS-015-00288	RSTS-088-0000x	RSRY-708-00812	9
114,99 - 116,03	4,5272 - 4,5681	RSKS-200-xxxxx	RSKS-100-xxxxx	RSCS-015-00290	RSTS-089-0000x	RSRY-708-00812	9
115,77 - 116,82	4,5579 - 4,5992	RSKS-200-xxxxx	RSKS-100-xxxxx	RSCS-015-00292	RSTS-090-0000x	RSRY-708-00812	9
116,56 - 117,60	4,5890 - 4,6299	RSKS-200-xxxxx	RSKS-100-xxxxx	RSCS-015-00294	RSTS-091-0000x	RSRY-708-00812	9
117,37 - 118,42	4,6209 - 4,6622	RSKS-200-xxxxx	RSKS-100-xxxxx	RSCS-015-00296	RSTS-092-0000x	RSRY-708-00812	9
118,16 - 119,20	4,6520 - 4,6929	RSKS-200-xxxxx	RSKS-100-xxxxx	RSCS-015-00298	RSTS-093-0000x	RSRY-708-00812	9
118,95 - 119,99	4,6831 - 4,7240	RSKS-200-xxxxx	RSKS-100-xxxxx	RSCS-015-00300	RSTS-094-0000x	RSRY-708-00812	9
119,74 - 120,78	4,7142 - 4,7551	RSKS-200-xxxxx	RSKS-100-xxxxx	RSCS-015-00302	RSTS-095-0000x	RSRY-708-00812	9
120,55 - 121,59	4,7461 - 4,7870	RSKS-200-xxxxx	RSKS-100-xxxxx	RSCS-015-00304	RSTS-096-0000x	RSRY-708-00812	9
121,34 - 122,38	4,7772 - 4,8181	RSKS-200-xxxxx	RSKS-100-xxxxx	RSCS-015-00306	RSTS-097-0000x	RSRY-708-00812	9
122,12 - 123,17	4,8079 - 4,8492	RSKS-200-xxxxx	RSKS-100-xxxxx	RSCS-015-00308	RSTS-098-0000x	RSRY-708-00812	9
122,91 - 123,95	4,8390 - 4,8799	RSKS-200-xxxxx	RSKS-100-xxxxx	RSCS-015-00310	RSTS-099-0000x	RSRY-708-00812	9
123,72 - 124,77	4,8709 - 4,9122	RSKS-200-xxxxx	RSKS-100-xxxxx	RSCS-015-00312	RSTS-100-0000x	RSRY-708-00812	9
124,51 - 125,55	4,9020 - 4,9429	RSKS-200-xxxxx	RSKS-100-xxxxx	RSCS-015-01245	RSTS-03x-01245	RSRY-708-00812	9
125,30 - 126,34	4,9331 - 4,9740	RSKS-200-xxxxx	RSKS-100-xxxxx	RSCS-015-01255	RSTS-03x-01255	RSRY-708-00812	9
126,09 - 127,13	4,9642 - 5,0051	RSKS-200-xxxxx	RSKS-100-xxxxx	RSCS-015-01265	RSTS-03x-01265	RSRY-708-00812	9
126,90 - 127,94	4,9961 - 5,0370	RSKS-200-xxxxx	RSKS-100-xxxxx	RSCS-015-01275	RSTS-03x-01275	RSRY-708-00812	9

\*xxxxx = Odkaz na válečkovanou velikost s přesností na 2 desetinná místa (např. válečkovací nástroj Ø 120,05 mm se stopkou MK.4: RSKS-200-12005).

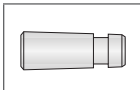
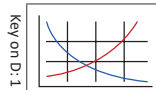
\*\*x = Číslo v rozsahu 2-8. Závisí na přesném válečkováném průměru. Správný postup pro určení hodnoty „x“ naleznete na straně D: 6.

**POZNÁMKA:** Válečkovací nástroje se dodávají kompletní, včetně klece, kužele a válečků.

D: 42 - 45

D: 40 - 41

D: 39



Key on D:1