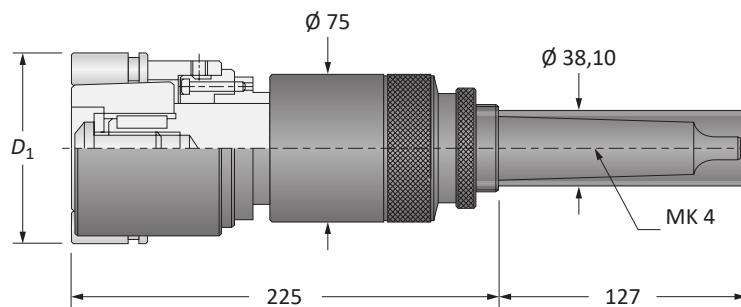


Válečkovací nástroje | Slepé otvory

Série R | Rozsah průměrů: 84,81mm - 104,12mm (3,3390 - 4,0992")



Slepé otvory

D_1		Obj. číslo*		Náhradní součásti			
Metrické (mm)	Palcové (inch)	Sestava s kuželovou stopkou	Sestava s válcovou stopkou	Klec	Kužel**	Válečky	Počet válečků
84,81 - 85,85	3,3390 - 3,3799	RSKR-200-xxxxx	RSKR-100-xxxxx	RSCR-015-00214	RSTR-073-0000x	RSRY-708-00468	9
85,63 - 86,66	3,3713 - 3,4118	RSKR-200-xxxxx	RSKR-100-xxxxx	RSCR-015-00216	RSTR-074-0000x	RSRY-708-00468	9
86,41 - 87,45	3,4020 - 3,4429	RSKR-200-xxxxx	RSKR-100-xxxxx	RSCR-015-00218	RSTR-071-0000x	RSRY-708-00531	9
87,20 - 88,24	3,4331 - 3,4740	RSKR-200-xxxxx	RSKR-100-xxxxx	RSCR-015-00220	RSTR-072-0000x	RSRY-708-00531	9
87,99 - 89,03	3,4642 - 3,5051	RSKR-200-xxxxx	RSKR-100-xxxxx	RSCR-015-00222	RSTR-073-0000x	RSRY-708-00531	9
88,79 - 89,84	3,4957 - 3,5370	RSKR-200-xxxxx	RSKR-100-xxxxx	RSCR-015-00224	RSTR-074-0000x	RSRY-708-00531	9
89,59 - 90,63	3,5272 - 3,5681	RSKR-200-xxxxx	RSKR-100-xxxxx	RSCR-015-00226	RSTR-075-0000x	RSRY-708-00531	9
90,37 - 91,42	3,5579 - 3,5992	RSKR-200-xxxxx	RSKR-100-xxxxx	RSCR-015-00228	RSTR-076-0000x	RSRY-708-00531	9
91,16 - 92,20	3,5890 - 3,6299	RSKR-200-xxxxx	RSKR-100-xxxxx	RSCR-015-00230	RSTR-071-0000x	RSRY-708-00625	9
91,97 - 93,02	3,6209 - 3,6622	RSKR-200-xxxxx	RSKR-100-xxxxx	RSCR-015-00232	RSTR-072-0000x	RSRY-708-00625	9
92,76 - 93,80	3,6520 - 3,6929	RSKR-200-xxxxx	RSKR-100-xxxxx	RSCR-015-00234	RSTR-073-0000x	RSRY-708-00625	9
93,55 - 94,59	3,6831 - 3,7240	RSKR-200-xxxxx	RSKR-100-xxxxx	RSCR-015-00236	RSTR-074-0000x	RSRY-708-00625	9
94,34 - 95,38	3,7142 - 3,7551	RSKR-200-xxxxx	RSKR-100-xxxxx	RSCR-015-00238	RSTR-075-0000x	RSRY-708-00625	9
95,15 - 96,19	3,7461 - 3,7870	RSKR-200-xxxxx	RSKR-100-xxxxx	RSCR-015-00240	RSTR-076-0000x	RSRY-708-00625	9
95,94 - 96,98	3,7772 - 3,8181	RSKR-200-xxxxx	RSKR-100-xxxxx	RSCR-015-00242	RSTR-077-0000x	RSRY-708-00625	9
96,72 - 97,77	3,8079 - 3,8492	RSKR-200-xxxxx	RSKR-100-xxxxx	RSCR-015-00244	RSTR-078-0000x	RSRY-708-00625	9
97,51 - 98,55	3,8390 - 3,8799	RSKR-200-xxxxx	RSKR-100-xxxxx	RSCR-015-00246	RSTR-075-0000x	RSRY-708-00687	9
98,32 - 99,37	3,8709 - 3,9122	RSKR-200-xxxxx	RSKR-100-xxxxx	RSCR-015-00248	RSTR-076-0000x	RSRY-708-00687	9
99,11 - 100,15	3,9020 - 3,9429	RSKR-200-xxxxx	RSKR-100-xxxxx	RSCR-015-00250	RSTR-077-0000x	RSRY-708-00687	9
99,90 - 100,94	3,9331 - 3,9740	RSKR-200-xxxxx	RSKR-100-xxxxx	RSCR-015-00252	RSTR-078-0000x	RSRY-708-00687	9
100,69 - 101,73	3,9642 - 4,0051	RSKR-200-xxxxx	RSKR-100-xxxxx	RSCR-015-00254	RSTR-079-0000x	RSRY-708-00687	9
101,50 - 102,54	3,9961 - 4,0370	RSKR-200-xxxxx	RSKR-100-xxxxx	RSCR-015-00256	RSTR-080-0000x	RSRY-708-00687	9
102,29 - 103,33	4,0272 - 4,0681	RSKR-200-xxxxx	RSKR-100-xxxxx	RSCR-015-00258	RSTR-081-0000x	RSRY-708-00687	9
103,07 - 104,12	4,0579 - 4,0992	RSKR-200-xxxxx	RSKR-100-xxxxx	RSCR-015-00260	RSTR-082-0000x	RSRY-708-00687	9

*xxxxx = Odkaz na válečkovanou velikost s přesností na 2 desetinná místa (např. válečkovací nástroj \varnothing 100,00 mm s válcovou stopkou: RSKR-100-10000).

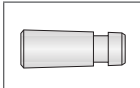
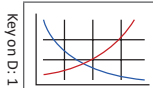
**x = Číslo v rozsahu 2-8. Závisí na přesném válečkováném průměru. Správný postup pro určení hodnoty „x“ naleznete na straně D: 6.

POZNÁMKA: Válečkovací nástroje se dodávají kompletní, včetně klece, kužele a válečků.

D: 42 - 45

D: 40 - 41

D: 39



Key on D: 1